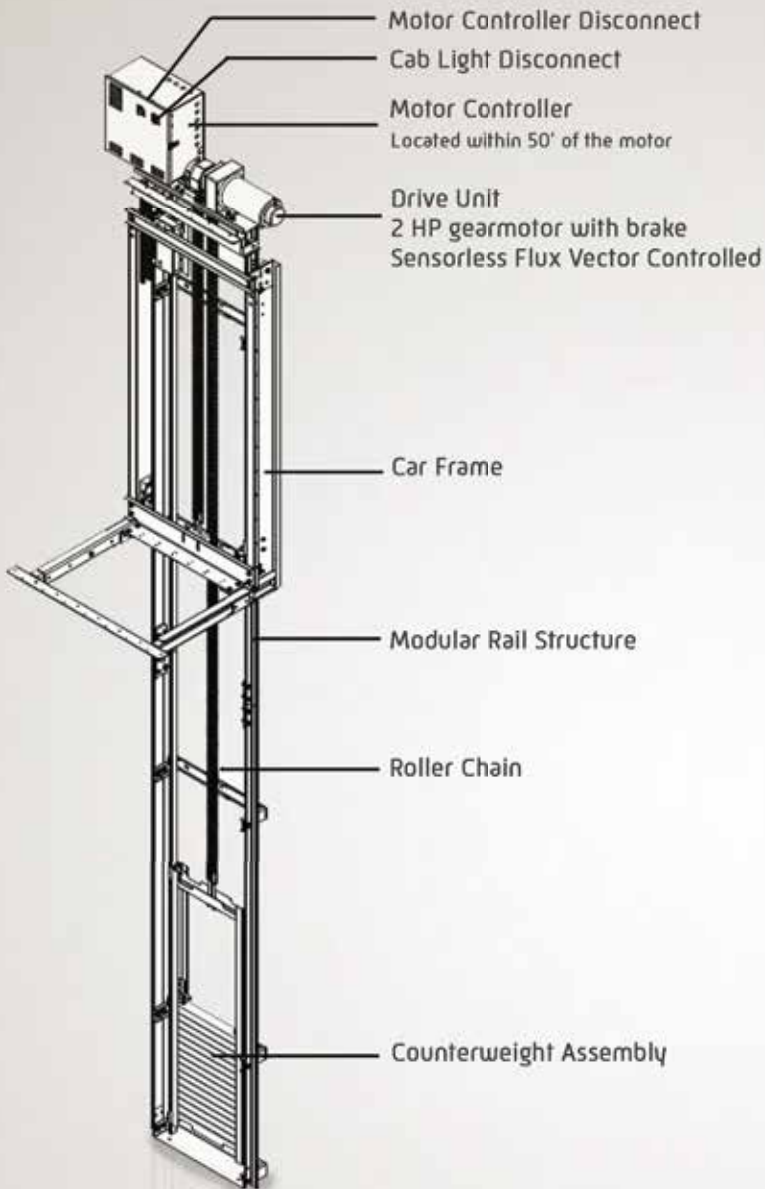


Symmetry Residential Elevator InLine Gear Drive



Available in Machine Room &
Machine Room-Less Application



Takes up less room - an entire room, in fact

Machine Room-Less (MRL) elevators require less space than conventional elevators. With removal of the machine room, our unique, first-ever InLine Gear drive fits where others won't.

Standard Features:

- Travel: 50' maximum (12" minimum between stops)
- Speed: 40 FPM
- Load Capacity: 1000#
- **Overhead: 8' (96" minimum) with remote controller**
- Minimum of 9' with controller in hoistway
- Pit depth: 6" minimum (8" preferred)
- Two (2) stop operation
- Single opening
- Three (3) year limited parts warranty

Mechanical Equipment

- Modular 6-1/4# T-rail structure
- Car frame assembly
- 208 VAC, 60Hz, 20 amp single phase power supply for motor controller
- 120 VAC, 60 HZ, 15 amp single phase lighting power supply
- Two (2) #60 roller chains
- Inverter controlled variable speed inline geared assembly with counter-weighted chain drive and 2HP motor
- **Code compliant electrical disconnects included**

Safety Features

- Slack chain safety device
- Motor controller supply disconnects (located in controller)
- Car light supply disconnects (located in controller)
- Pit stop switch
- Car top stop switch
- In-car emergency stop switch and alarm
- Safety switch for car gate(s)
- Battery back-up emergency car lights
- Electromechanical hoistway door interlocks (doors by other)
- **Self-Monitoring Alert Response Technology (S.M.A.R.T.) System**
- High quality replacement parts available locally for cost-effective repair

Controls

- Programmable Logic Controller (PLC)
- Non-selective collective automatic operation
- Car Operating Panel (COP) in brushed stainless steel with LED floor position indicator
- Hall Stations in brushed stainless steel with call button and LED floor position indicator
- Recessed phone box brushed stainless steel with phone jack included
- Automatic car lighting
- Single floor designated car homing
- **Uninterruptible Power Supply (UPS) provides lowering of elevator car in case of power failure**

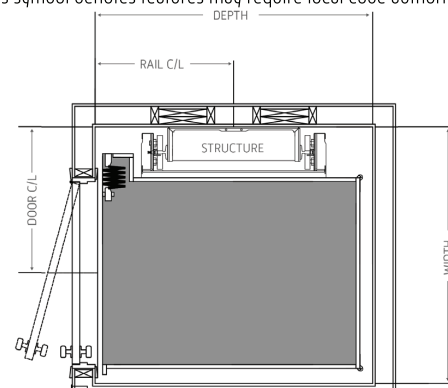
Car Features

- Cab size up to 15 square feet
- 7'0" interior car height
- Birch, Oak or Maple flat veneer interior walls with matching ceiling
- Matching wood handrail
- Matching wood car sill
- Unfinished plywood floor with sill set for .75" (flooring by others)
- **Two (2) energy saving recessed LED lights with black trim rings**
- 7'0" vinyl laminate accordion gate (light oak, dark oak, birch, white, chalk, or antique white)

Optional Features

- Up to six stops
- Single automatic push button operation
- Custom car size up to 18 square feet*
- Custom car heights
- Shaker or Recessed panel car with flush ceiling
- Shaker or Recessed panel car with matching ceiling
- Raised panel car with matching ceiling
- **Four recessed LED lights with black, brass, nickel or bronze trim rings**
- Factory finished car
- Polished stainless steel, polished or brushed brass, black vintage bronze and oil rubbed brass fixtures (including COP, phone box, hall calls, and handrail)
- **COP with integrated keypad phone**
- Custom wood interiors
- **Custom factory finishes (antiqued, distressed, and crackle)**
- **Green material alternatives and finishes for car interiors**
- Symmetry Safety 3 Panel Car Door
- Two and three speed car or car and landing doors
- Wrap around car door
- Enterprise collapsible gate
- Scissor gate
- Hardwood veneer accordion gate
- Clear panel accordion gate
- Automatic car gate/door operator (not available on Enterprise collapsible gate)
- .75" finished or unfinished factory installed hardwood car flooring
- Factory flooring insert for 1/4" flooring by others
- Buffer Springs (requires minimum of 8 1/4" pit depth)
- Key switch for COP and hall stations
- 750# car capacity
- Accordion gates will have bronze hardware except on white, chalk, or antique white gates. Acrylic gates will have clear hardware when stainless or black fixtures are provided.

Red () denotes Symmetry Elevating Solutions exclusive*
 * This symbol denotes features may require local code authority approval



Car Size	Width	Depth	Rail C/L	Door C/L	Clear Opening
36 x 48	50.5"	54.5"	27.25"	28.75"	32.25"
36 x 60	50.5"	66.5"	33.25"	28.75"	32.25"
40 x 54	54.5"	60.5"	30.25"	32.75"	33.5"

Division 14 Specs: Div14Specs.com
 "One-stop" website to view and download digital brochures, access specifications, CAD, PDF and Revit files.

SpeCreator™: SpeCreator.us
 Offers a custom specification generator created to easily "build" Division 14 products. SpeCreator™ generates product specific sets of CSI 3-part specifications.

This brochure is intended for informational purposes only. Consult local code authority before beginning construction before beginning construction



Want to Learn More?

Scan this QR code with your smart phone to access the entire Symmetry Elevating Solutions product line.



National Reach. Local Service.®
 877.375.1428 | SymmetryElevator.com