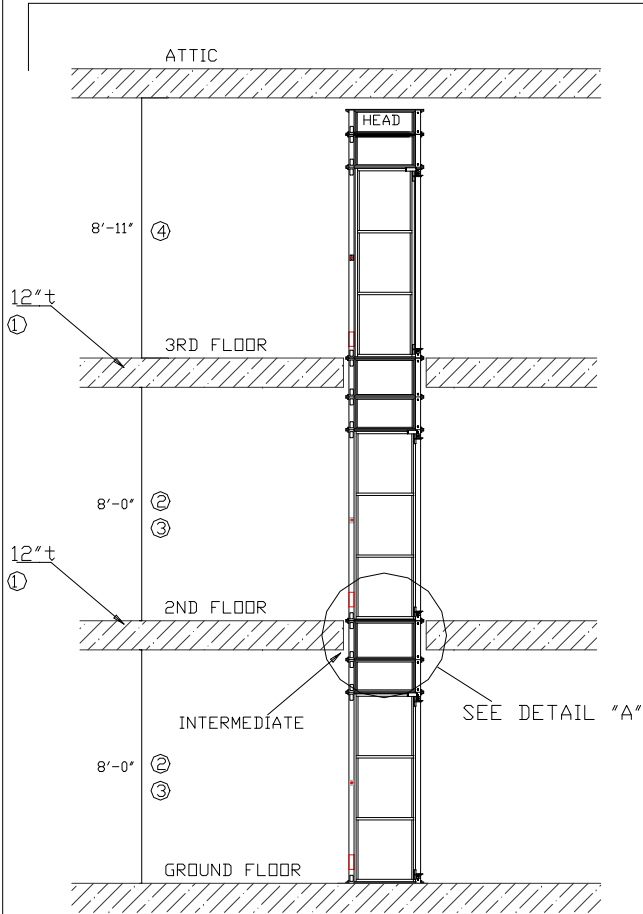
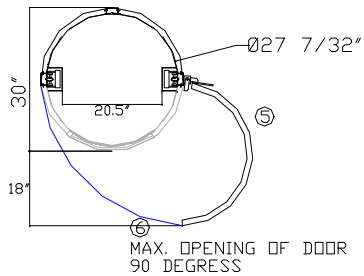


TYPICAL SETUP



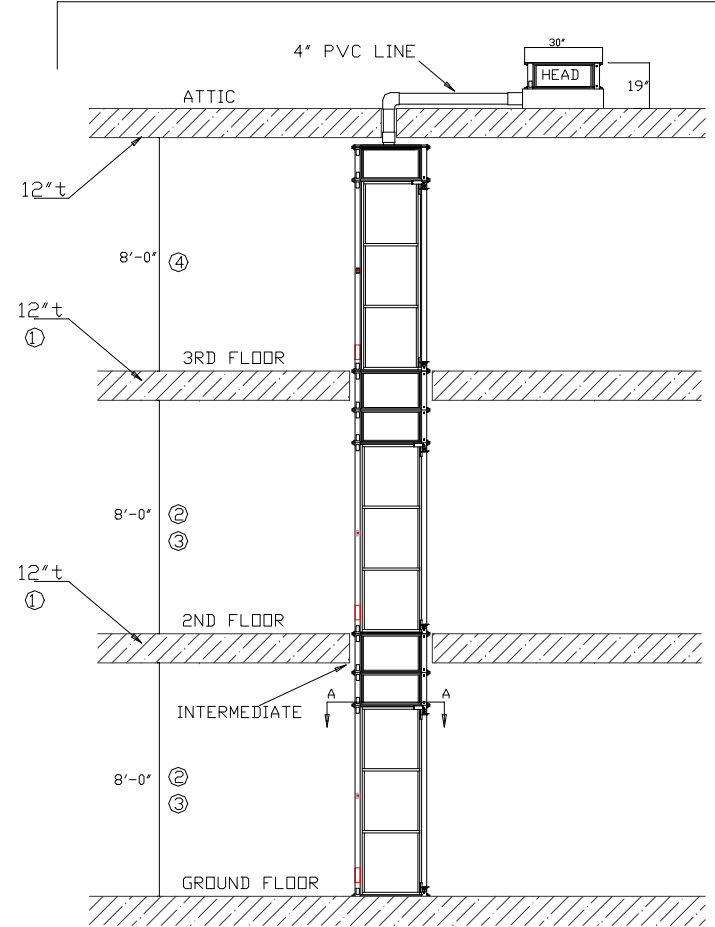
VIEW "A-A"  
SCALE 2:1



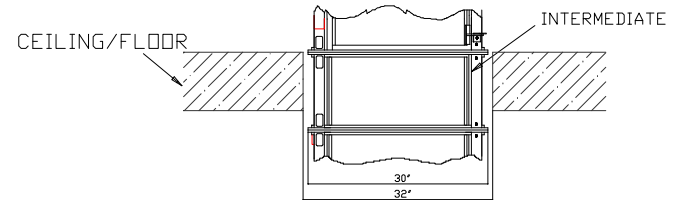
NOTE:

- ① INTERMEDIATE CYLINDER IS CUSTOM MADE AS FLOOR THICKNESS MAY VARY FROM HOME TO HOME.
- ② INTERMEDIATE CYLINDER IS CUSTOM MADE AS ROOM HEIGHT MAY VARY FROM HOME TO HOME.
- ③ MINIMUM ALLOWABLE HEIGHT IS 7'-9"
- ④ MINIMUM ALLOWABLE HEIGHT AS SHOWN FOR THIS TYPE OF INSTALLATION
- ⑤ INTERNAL DIAMETER OF CABIN WITHOUT THE COLUMNS IS 25 1/2" AND THE INTERNAL CABIN HEIGHT IS 6'-5"
- ⑥ CABIN WIDTH INCLUDING COLUMNS IS 20 1/2"
- ⑦ MAX. ELEVATOR HEIGHT IS 35'

OPTION: REMOTE LOCATION OF HEAD UNIT



DETAIL "A"  
(TYPICAL OF FLOOR PENETRATION)



Information contain herein is the property of Pneumatic Vacuum Elevators LLC. No reproduction or disclosure of this information may be made by the recipient to any person or organization without the written consent of Pneumatic Vacuum Elevators LLC.



**PNEUMATIC  
VACUUM ELEVATORS LLC**

TYPICAL HOME INSTALLATION  
FOR A 3STOP ELEVATOR

Designed by	Scale	Drawing No	Rev	Date
HS	1:1	D-30-CYL3	0	11/15/10